



HARROW BASIN MONO



DOMESTIC



0.1 - 0.2 BAR



0.5 - 5.0 BAR

PRODUCT INFORMATION

CORH002	Harrow Basin Mono including 1 1/4" click clack basin waste - 0.2 bar
CORH006	Harrow Cloakroom Basin Mono including 1 1/4" click clack basin waste - 0.2 bar
CORH005	Harrow large Free Standing Basin Mono - 0.5 bar Basin waste not included

RELATED PRODUCTS IN RANGE

CORH003	Harrow Bath Filler - 0.2 bar
CORH004	Harrow Bath Shower Mixer including handset - 0.2 bar
CORH001	Harrow Freestanding Bath Shower Mixer - 1.0 bar

SPECIFICATIONS

Minimum operating pressure as per product information
1/4 turn ceramic disc technology

MATERIAL COLOUR/FINISH APPROVALS

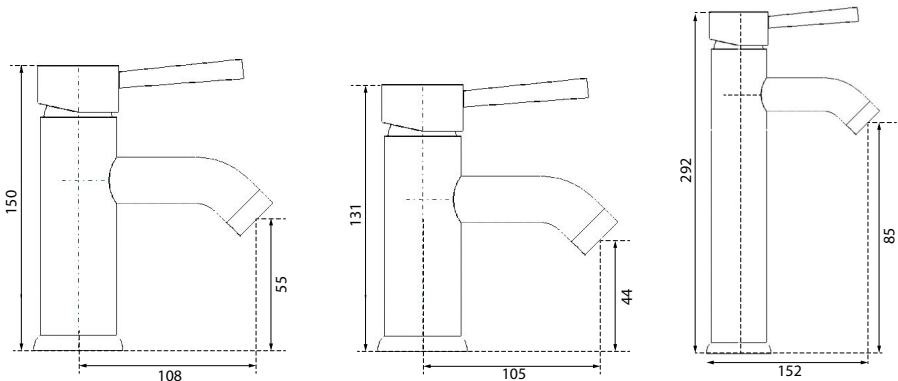
Brass
Chrome
This product should be fitted in accordance with relevant *Water Byelaw Regulations*

FIXING

Deck mounted using back nuts provided
(do not overtighten)

PRODUCT DIMENSIONS ADDITIONAL INFORMATION

Please refer to technical line drawing
Suitable for the following plumbing systems:
Gravity fed, pumped, unvented or combi systems.
For a full range of brassware products please refer to www.sonasbathrooms.com



WARRANTY

- **5 year warranty** on taps applies to chrome finish and main body of products. All surfaces must be cleaned with warm soapy water and dried with soft clothes only. The use of abrasive cleaners or materials will render *warranty invalid*. Flexible tail connections, hoses and handsets are covered by a *1 year guarantee*.
- **Do not over tighten** flexible tail connections as this may result in later failure of the fitting.
- To enable each supply to be individually isolated product should be fitted with individual isolating valves, claims will be dealt with on that basis.
- Suitable access should be provided for in order for products or parts to be replaced under warranty. In the event that *no access* is provided, labour cost claims *cannot* be upheld.

