

SONAS BTW DOC M PACK



APPROVED



HEALTHCARE



SPECIAL NEEDS



COMMERCIAL



DOMESTIC



EDUCATION



HOTEL & LEISURE

PRODUCT INFORMATION

BDM820K-04	SONAS back to wall DOC M pack - white rails
BDM820K-04-5011	SONAS back to wall DOC M pack - blue rails
BDM820K-04-7005	SONAS back to wall DOC M pack - grey rails

COMPRISING COMPONENTS

- Back to Wall HO pan 445mm high
- Concealed 6 litre cistern, fittings and spatula lever
- Heavy duty seat ring, metal hinge
- Backrest support
- Laminated spacer box
- Handrinse basin 2 tap hole 400mm including fittings and waste
- Tap hole stopper for handrinse basin
- Spray mixer lever operated
- 5 x DOC M 600mm support rails
- 1 x DOC M hinged support rail

Colour/Finish	RAL	LRV
White	9016	94
Dark Blue	5011	27
Grey	7005	51

MATERIAL

Vitreous China/Grab rails in powder coated steel

COLOUR/FINISH

Vitreous china in white/grab rails in white, blue or grey options

MANUFACTURER

SONAS Bathrooms

FIXING

Fixing instructions, layout guidelines and LANTAC certificate provided

STANDARDS

WC - EN 997 / Basin EN 14688

APPROVALS

LABC LANTAC Approved

PRODUCT DIMENSIONS

Please refer to layout guidelines

APPLICATIONS

Disabled toilet accommodation in offices, shops, factories, educational premises or any premises where the public is admitted

ADDITIONAL INFORMATION

The products included in the set and layout are the layout details in accordance with those laid down in the building regulations 2004 edition approved Document M published 3rd May 2006

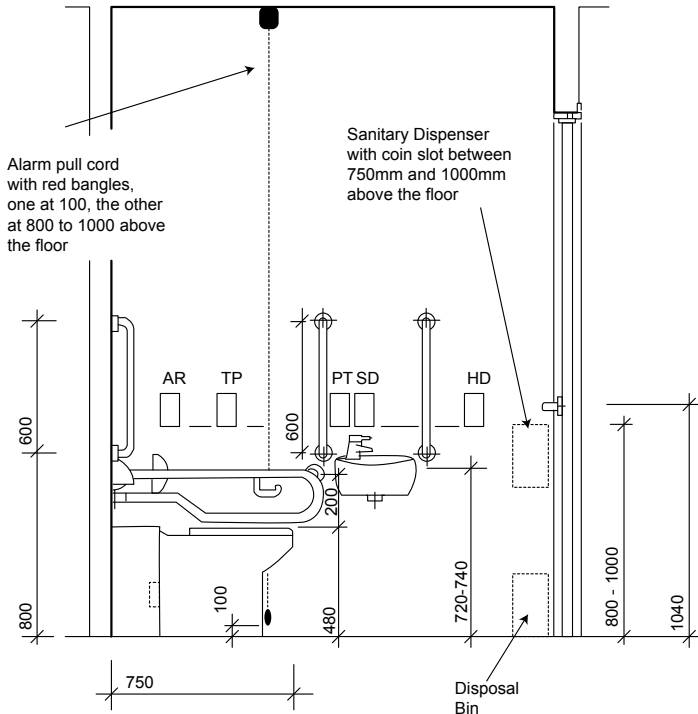
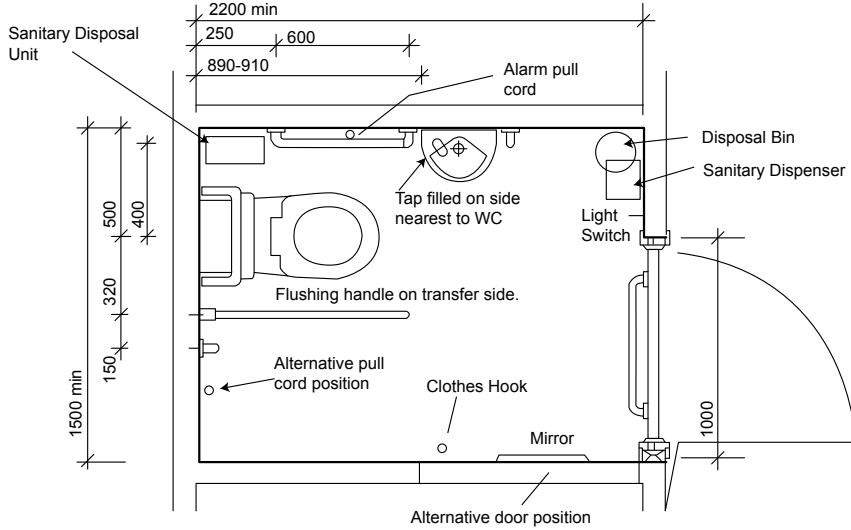
TMV valve not supplied

LABC Registered System reg no RD87



The area shown is the minimum required. It must be clear of all obstructions (eg. plumbing and drainage fittings).

BACK-TO-WALL DOC M



The drawing above shows a Left Hand installation. A right Hand installation is the mirror image of above.

- AR: Alarm Reset Button
- TP: Toilet Paper Dispenser
- PT: Paper Towel Dispenser
- SD: Soap Dispenser
- HD: Possible position for Automatic Hand Dryer

