

JAVA HTM64 SLOP HOPPER



APPROVED



HEALTHCARE



HTM64

HTM64



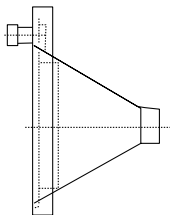
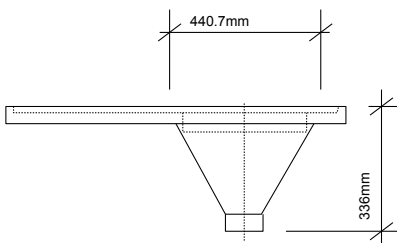
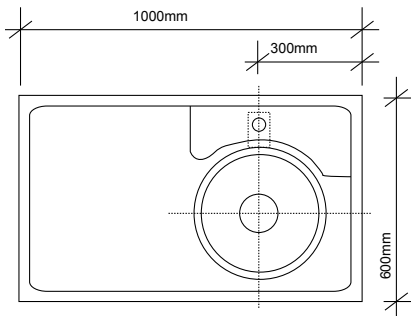
COMMERCIAL

PRODUCT INFORMATION

HD1060T110L/R	Java top entry slop hopper & drainer with 110mm outlets
HD1060B110L/R	Java back entry slop hopper & drainer with 110mm outlets

OPTIONS

SHLG0600SH	Stainless steel legs
CISTERN-L	Stainless steel cistern lever flush top entry
FALLPIPE	Connecting pipe
SHB0600L	Left hand cantilever wall bracket
SHB0600R	Right hand cantilever wall bracket
HT110PP	Polypropylene P trap
SF2301CP	Sola bib tap lever (crosshead also available)
SF2704CP	6" long levers (pair)
IDO063	100mm Wall extensions
IDO061	Bib tap wall elbows



RELATED PRODUCTS

OHXCFH14CP
CF3067CP
CF6217WH

FOR BACK INLET

Concealed high level plastic cistern & lever
High level adaptor kit CP lever
Flushpipe, plastic

RELATED PRODUCTS

CCR02WHT
OHXDFP1300
OHXDFP10WH

TOP ENTRY

Rhino cistern and fittings assembly SDO plastic
Flushpipe clip
Flushpipe

MATERIAL

304 Grade Stainless Steel

FINISH

Polished

MAKE

PLAND Stainless

STEEL THICKNESS

1.2mm

APPROVALS

HTM64 Compliant, HBN DU-H

PRODUCT DIMENSIONS

W1000 x D600 x H366mm

ADDITIONAL INFORMATION

Wall mounted solid and liquid waste disposal unit DU-H with continuous flushing rim and hinged bucket grating. Supplied with sound deadening pads and earth tag. Waste, legs and brackets supplied as options.

