

KNEE OPERATED VALVE



COMMERCIAL



PRODUCT INFORMATION

LO810CP	Knee operated control valve - exposed
LO820CP	Knee operated control valve - concealed

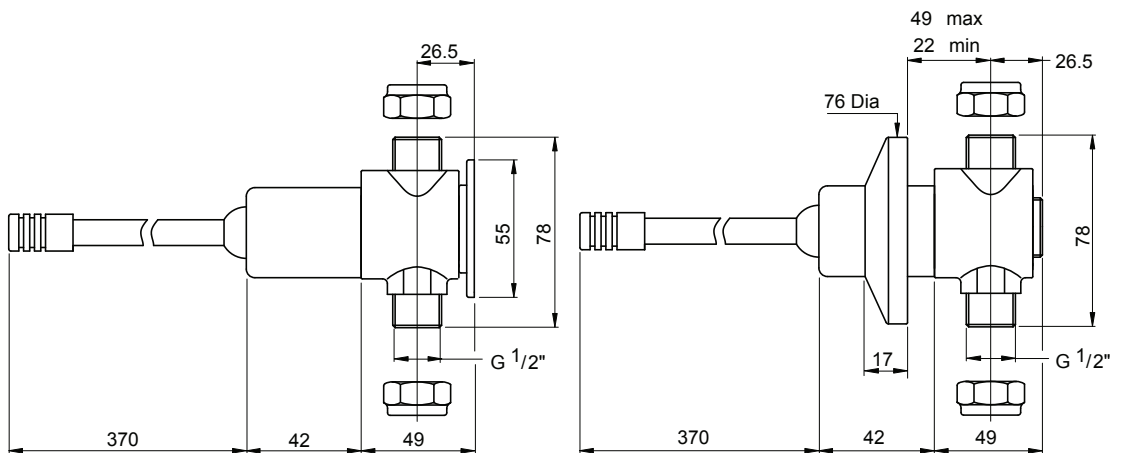
SPECIFICATIONS

Minimum inlet pressure 0.5 bar
Maximum inlet pressure 5.0 bar
Max inlet temperature 65°C
Flow time 15 seconds @ 3.0 bar
Inlet connections 15mm/G1/2"
Outlet connections 15mm/G1/2"

MATERIAL	Brass
COLOUR/FINISH	Chrome
MANUFACTURER	Inta
FIXING	Screwed to wall

PRODUCT DIMENSIONS Please refer to technical line drawing

ADDITIONAL INFORMATION The Inta range of knee operated valves allows the user to deliver hot cold and mixed temperature water in a controlled and hygienic way. The knee operated controls are easy to use, easy to install, easy to use and are durable and vandal resistant, making them ideal for many applications.



INTLO810CP

INTLO820CP