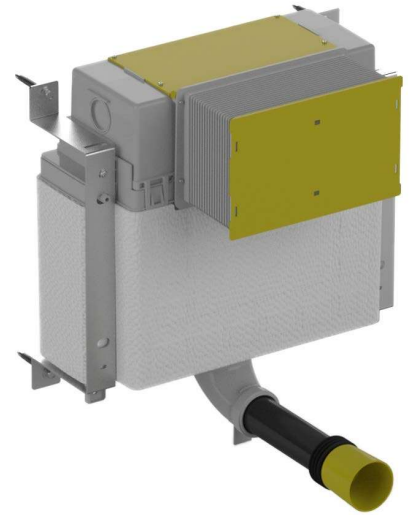


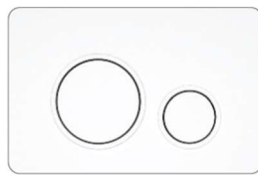
CONCEALED CISTERN for Back to Wall WC

Includes pan connectors with front access, dual flush cistern and rectangular or circular flush plate (excluding WC pan)

CODE (Circular)	Chrome	●	USW0150	White	●	USW0151
	Black	●	USW0152	Brushed Gold	●	USW0510
	Brushed Nickel	●	USW0511			
CODE (Rectangular)	Chrome	●	USW0147	White	●	USW0148
	Black	●	USW0149			
MATERIAL	Plastic					
FLUSH VOLUME	6/3 Litres					
STANDARDS	EN14055					
FIXINGS	Supplied					
DIMENSIONS	W420 x H420 x D155-185mm					
ADDITIONAL INFO	Suitable for use with stud walls where adequate grounds are provided. Load capacity 400KG.					



Chrome Circular



White Circular



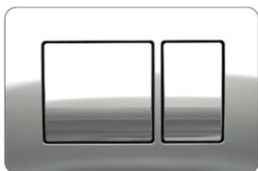
Black Circular



Brushed Gold Circular



Brushed Nickel Circular



Chrome Rectangular



White Rectangular



Black Rectangular

