



## SURREY MONO BIDET



DOMESTIC



0.1 - 0.2 BAR



0.5 - 5.0 BAR

### PRODUCT INFORMATION

CORSR006

Surrey mono bidet 0.2 bar

### RELATED PRODUCTS IN RANGE

CORSR001

Surrey basin taps 0.2 bar

CORSR002

Surrey mono basin 0.2 bar

CORSR003

Surrey bath filler 0.2 bar

CORSR004

Surrey bath shower mixer including hanset 0.1 bar

### SPECIFICATIONS

Minimum operating pressure as per product information

Full turn ceramic disc technology

### MATERIAL

Brass

### COLOUR/FINISH

Chrome

### APPROVALS

This product should be fitted in accordance with relevant *Water Byelaw Regulations*

### FIXING

Deck mounted using back nuts provided (*do not overtighten*)

### PRODUCT DIMENSIONS

Please refer to technical line drawing

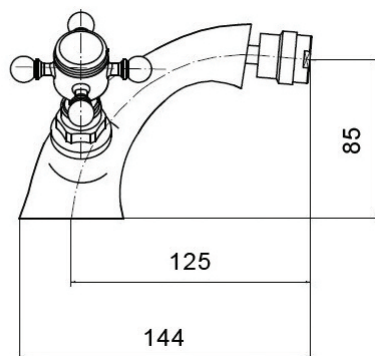
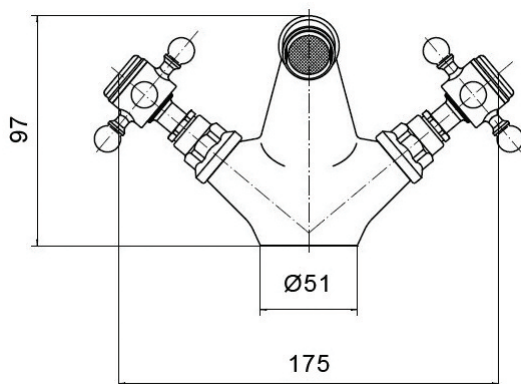
### ADDITIONAL INFORMATION

Suitable for the following plumbing systems:

Gravity fed, pumped, unvented or combi systems.

For a full range of brassware products please refer to

[www.sonasbathrooms.com](http://www.sonasbathrooms.com)



### WARRANTY

- **5 year warranty** on taps applies to chrome finish and main body of products. All surfaces must be cleaned with warm soapy water and dried with soft clothes only. The use of abrasive cleaners or materials will render *warranty invalid*. Flexible tail connections, hoses and handsets are covered by a *1 year guarantee*.
- **Do not over tighten** flexible tail connections as this may result in later failure of the fitting.
- To enable each supply to be individually isolated product should be fitted with individual isolating valves, claims will be dealt with on that basis.
- Suitable access should be provided for in order for products or parts to be replaced under warranty. In the event that *no access* is provided, labour cost claims *cannot* be upheld.