

SURREY BATH FILLER



PRODUCT INFORMATION

CORSR003 Surrey bath filler 0.2 bar

RELATED PRODUCTS IN RANGE

CORSR001 Surrey basin taps 0.2 bar
 CORSR002 Surrey mono basin 0.2 bar
 CORSR004 Surrey bath shower mixer including handset 0.1 bar
 CORSR006 Surrey mono bidet 0.2 bar

SPECIFICATIONS

Minimum operating pressure as per product information
 Full turn ceramic disc technology

MATERIAL

Brass

COLOUR/FINISH

Chrome

APPROVALS

This product should be fitted in accordance with relevant *Water Byelaw Regulations*

FIXING

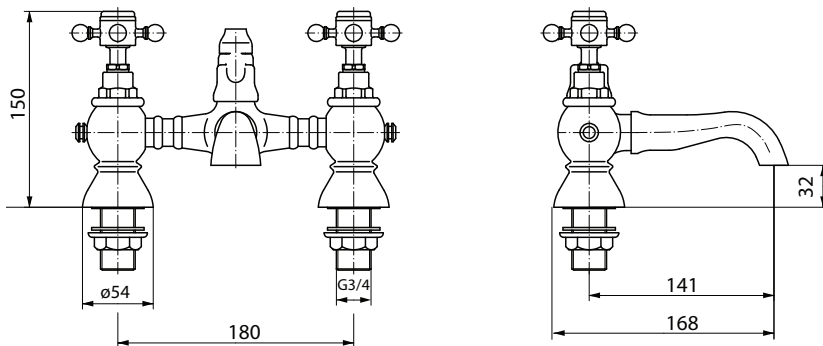
Deck mounted using back nuts provided (*do not overtighten*)

PRODUCT DIMENSIONS

Please refer to technical line drawing

ADDITIONAL INFORMATION

Suitable for the following plumbing systems:
 Gravity fed, pumped, unvented or combi systems.
 For a full range of brassware products please refer to www.sonasbathrooms.com



WARRANTY

- **5 year warranty** on taps applies to chrome finish and main body of products. All surfaces must be cleaned with warm soapy water and dried with soft clothes only. The use of abrasive cleaners or materials will render *warranty invalid*. Flexible tail connections, hoses and handsets are covered by a *1 year guarantee*.
- **Do not over tighten** flexible tail connections as this may result in later failure of the fitting.
- To enable each supply to be individually isolated product should be fitted with individual isolating valves, claims will be dealt with on that basis.
- Suitable access should be provided in order for products or parts to be replaced under warranty. In the event that *no access* is provided, labour cost claims *cannot* be upheld.