



PP0018
White finish



PP0018CS
Satin finish



PP0018RAL
RALfinish

General description

- Sanitary napkin container with manual opening. 18L capacity
Made of AISI 304 stainless steel. 0,8 mm thickness
- Removable container top close with self-closing manually opening lid, with handle and integrated waste container for discreet disposal of hygiene items. Specially designed to prevent the contents from being visible.
- 18L sanitary napkin containers are also suitable for disposal of adult and baby nappies.
- Retaining system on the inside of the body to secure the disposable waste
- Highly resistant and hygienic. Easy cleaning and maintenance
- Can be either free-standing or wall mounted (screws supplied)

Components and materials

- PP0018CS: sanitary napkin container made of AISI 304 stainless steel in satin finish with anti fingerprint surface additive.
- BODY: can be either free-standing or wall mounted with two slot holes at the back part of the container.
- TOP part: made of AISI 304 stainless steel, 0,8 mm thickness.
- LID: made of AISI 304 stainless steel, 0,8 mm thickness, satin finish, with stainless steel handle.
- FEET: 4 thermoplastic feet to keep the bottom of the bin clear of any moisture.

Technical specifications

Max dimensions. 507 x 278 x 183 mm (PP0018...)

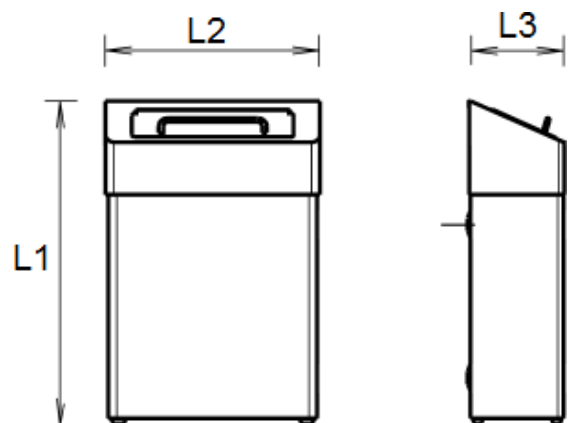
Net weight 5,35 Kg (PP0018...)

Capacity 18 L (PP0018...)

Body thickness 0,8 mm

Lid thickness 0,8 mm

Dimensions



	L1 (mm)	L2 (mm)	L3 (mm)
PP0018CS/	507	278	183

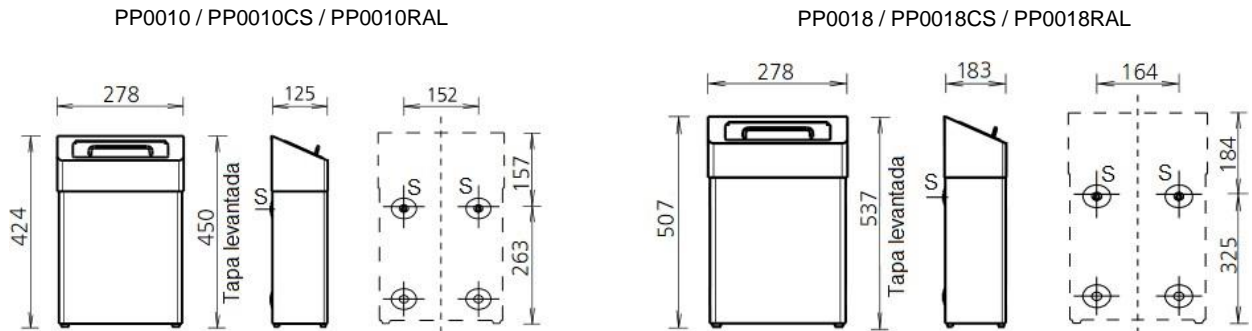
Functioning

Use the handle to open the lid manually and place the waste on the tray of the double lid system. Close the lid again once the waste has been deposited. The waste will fall into the container by automatic gravity rotation of the double lid system.

Assembly

Recommended installation heights

Fix the sanitary napkin container to the wall, using the screws provided, through the two upper slot holes located on the back of the container (points indicated by an "S" in the figure below).



Mediclinics, S.A., se reserva el derecho a efectuar cambios y/o modificaciones en los productos y sus especificaciones sin previo aviso
Revisión 06-18

© mediclinics S.A.

