

AUSTIN WALL HUNG WC PAN



APPROVED



COMMERCIAL



EDUCATION



HOTEL & LEISURE



SECURITY

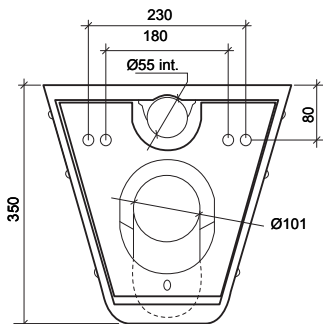
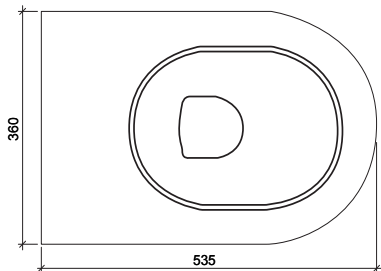
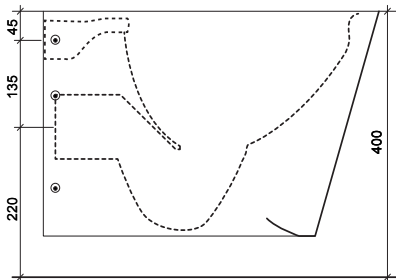
PRODUCT INFORMATION

PURV131

Austin fully shrouded wall hung WC pan, rear inlet, P trap

RELATED PRODUCTS

SAN1013	Heavy duty seat & cover black
SAN1015	Heavy duty seat & cover white
SAN1012	Open front seat no cover black
SAN1014	Open front seat no cover white
CWC.GPSC	Seat & cover grey
CWC.SPB	Plastic seat pads black (factory fitted)
CWC.SPW	Plastic seat pads white (factory fitted)
SAN1005	Pneumatic push cistern
SAN1007	Pneumatic push cistern s-steel (IPS Panel)
SAN1007/1	Pneumatic push cistern s-steel (Solid Wall)
SAN1006	Pneumatic push cistern chrome plated plastic (IPS Panel)
SAN1006/1	Pneumatic push cistern chrome plated plastic (Solid Wall)



MATERIAL

304 Grade Stainless Steel

FINISH

Satin

MAKE

PLAND Stainless

STEEL THICKNESS

2.0mm

PRODUCT DIMENSIONS

W360 x H350 x D535mm

ADDITIONAL INFORMATION

The Austin is a fully shrouded wall hung WC which secures to a stainless steel wall mounting backing plate with allen screws. Can be fitted to a universal cistern duct frame.

