

CALVI BTW WC PAN



APPROVED



COMMERCIAL



EDUCATION



HOTEL & LEISURE



SECURITY

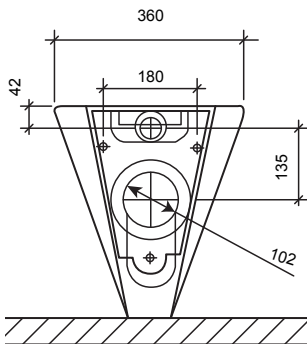
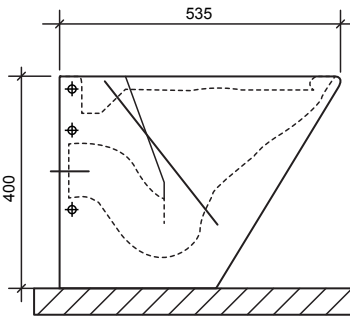
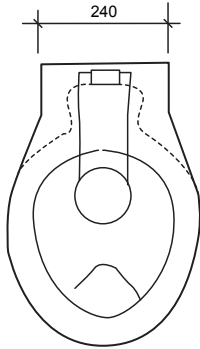
PRODUCT INFORMATION

PURV135

Calvi back to wall shrouded WC pan, rear inlet, P trap

RELATED PRODUCTS

- SAN1013 Heavy duty seat & cover black
- SAN1015 Heavy duty seat & cover white
- SAN1012 Open front seat no cover black
- SAN1014 Open front seat no cover white
- CWC.GPSC Seat & cover grey
- CWC.SPB Plastic seat pads black (factory fitted)
- CWC.SPW Plastic seat pads white (factory fitted)
- SAN1005 Pneumatic push cistern
- SAN1007 Pneumatic push cistern s-steel (IPS Panel)
- SAN1007/1 Pneumatic push cistern s-steel (Solid Wall)
- SAN1006 Pneumatic push cistern chrome plated plastic (IPS Panel)
- SAN1006/1 Pneumatic push cistern chrome plated plastic (Solid Wall)



MATERIAL

304 Grade Stainless Steel

FINISH

Satin

MAKE

PLAND Stainless

STEEL THICKNESS

2.0mm

PRODUCT DIMENSIONS

W360 x H400 x D535mm

ADDITIONAL INFORMATION

The calvi is a low cost alternative to the Atlanta. A fully shrouded back to wall floor standing WC which secures to a stainless steel wall mounting backing plate with allen screws.

